

Heavy Duty IR Camera CSP- 402

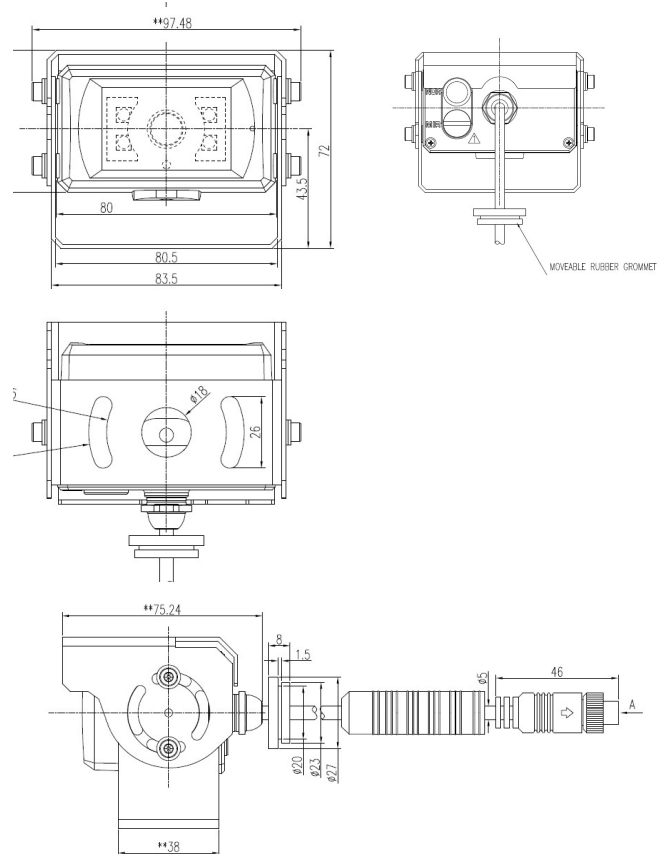
Features

- 1/2.9" SONY CMOS HD Colour Image Sensor
- Full 1080P (1920 x 1080) 25P / 30P
- 0.1 Lux ~ 0 Lux with IR
- Outstanding Picture Quality
- Housing High Grade Aluminium,
- Robust, Reliable & Versatile
- Smart IR LEDs
- IP69K Rated to stand up in the Harsh Environment
- Power DC 12V, 100mA
- Super Wide Viewing Angle 130°
- Built-in Microphone
- Mirror / Normal Image Switch



Specification	CSP-402
Image Sensor	1/2.9" SONY CMOS Image Sensor
Resolution	1080p (1920 H x 1080 V) 25P / 30P
Min. Illumination	1.0 Lux, Colour 0 Lux BW with IR LEDs On
Pixel Pitch	2.9µm x 2.9µm
TV System	PAL / NTSC
Scanning System	Progressive Scanning
S/N Ratio	More than 52dB (AGC Off)
Video Output	AHD
AGC	Auto
Shutter Speed	Auto 1/30, 1/25 sec~1/50,000 sec
BLC	Auto
Gamma Consumption	0.45
Night Vision	Distance 8 -15m
Day & Night	Automatic Adjustment
White Balance	Auto
Microphone	Yes
Current Consumption	Max 130mA
Power Source	Regulated 12 V DC (100mA) Max 1.2W
Lens	2.8 mm Fixed Mega Lens
Lens Angle	Viewing Angle 130° Option Lens: 110°, 65°, 45°, 35°
IP Rated	Weather proof to IP69K Rated
Ant-Vibration	ISO 16750-3 (Max.17.3G)
Operating Temp	-30°C ~ 70°C RH95% Max
Weight	Approx. 0.5 KG

Dimensions



Description

CSP402 is a Heavy Duty Camera for extreme weather conditions.

Full 1080P picture quality with built-in infrared smart IR LED's for night vision.

The housing is made from high grade aluminum waterproof to IP69K making it ideal for harsh environments.

Option: Magnetic Camera Bracket Model MMB is designed to be used with CSP402 & CSP405 camera, Simply fix the magnetic base to the camera bracket and attach the camera to your vehicle.



Magnetic Camera Bracket Model MMB



Rear View of CSP-402