

## IR Mini Ball Camera CSP- 403

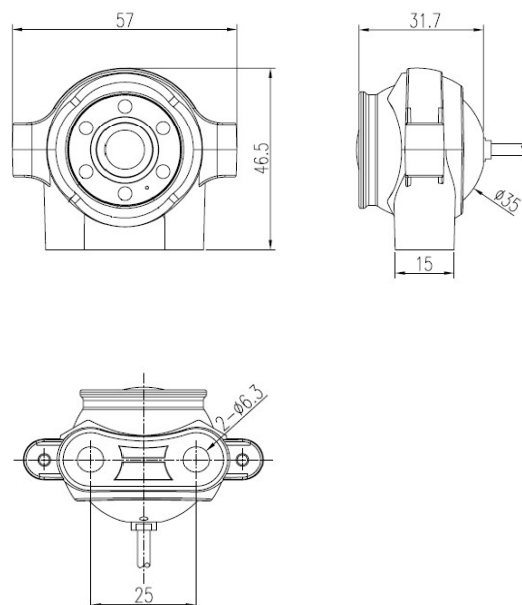
### Features

1/2.9" SONY CMOS HD Colour Image Sensor  
 Full 1080P ( 1920 x 1080 ) 25P / 30P  
 0.1 Lux ~ 0 Lux with IR  
 Outstanding Picture Quality  
 Housing High Grade Aluminium,  
 Robust, Reliable & Versatile  
 Smart IR LEDs  
 IP69K Rated to stand up in the Harsh Environment  
 Power DC 12V, 100mA  
 Super Wide viewing angle 150°  
 Built-in Microphone



Specification	CSP-403
Image Sensor	1/2.9" SONY CMOS Image Sensor
Resolution	1080p (1920 H x 1080 V ) 25P / 30P
Min. Illumination	1.0 Lux, Colour 0 Lux BW with IR LEDs On
Pixel Pitch	2.8µm x 2.8µm
TV System	PAL / NTSC
Scanning System	Progressive Scanning
S/N Ratio	More than 52dB ( AGC Off )
Video Output	AHD
AGC	Auto
Shutter Speed	Auto 1/30, 1/25 sec~1/50,000 sec
BLC	Auto
Gamma Consumption	0.45
Night Vision	Distance 5m
Day & Night	Automatic Adjustment
White Balance	Auto
Microphone	Yes
Current Consumption	Max 130mA
Power Source	Regulated 12 V DC ( 100mA ) Max 1.2W
Lens	1.98mm Fixed Mega Lens
Lens Angle	Viewing Angle 150° Option Lens:130°
IP Rated	Weather proof to IP69K Rated
Ant-Vibration	ISO 16750-3 ( Max.17.3G )
Operating Temp	-20°C ~ 70°C RH95% Max
Connection	RCA / Female 4 Pin
Weight	Approx. 0.2 KG

### Dimensions



### Description

CSP403 One of the best tough compact mini vehicle cameras available, It offering an outstanding Full 1080P picture quality with smart IR LED's for night vision. very impressive compact camera

The housing and is made from high grade aluminum, waterproof to IP69K making it ideal for harsh environments. It has a super wide viewing angle of 150° with a built-in microphone.

A perfect choice for a wide range of applications in utility vehicles and mobile machinery. small enough to fit on to a vehicles wing mirror bar with the a wing mirror bracket option



Wing Mirror Bracket  
Code: WMM



Compact Camera  
Code: CSP-403